

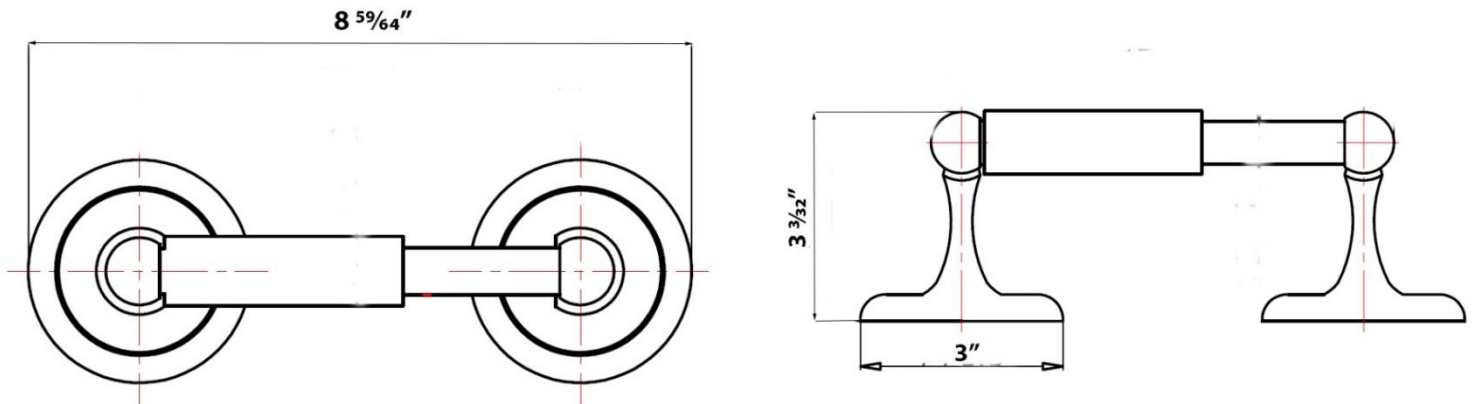


Product Specification Sheet

Date 03/18

Version 1.0

Piedmont Series Two Post Paper Holder



Product Description	Piedmont Series Two Post Paper Holder
Mount	Concealed Screw Application
Product Number	20202 - Polished Chrome 20302 - Satin Nickel 20402 - Oil Rubbed Bronze
Material	Zamac
Package Contents	2 - Posts 1 - Roller 2 - Mounting Bracket 1-13/16" x 2-3/64" 4 - Plastic Dry Wall Anchors 4 - Steel Phillips Head Screws #8x1-1/2"

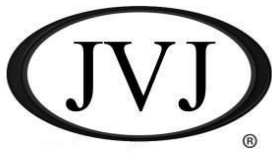
8132 Moberly Lane • Dallas, TX 75227-2311

Phone: 800-969-4393 • 214-381-9843

Email: sales@jvjhardware.com

Fax: 888-676-6770 • 214-388-0391

www.jvjhardware.com

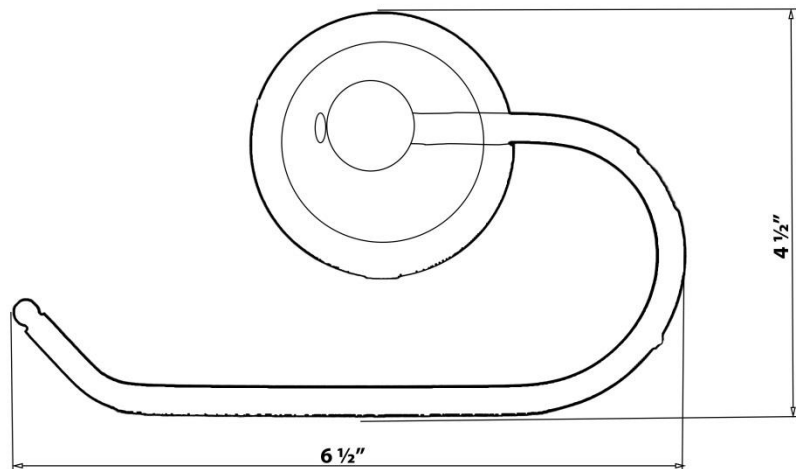
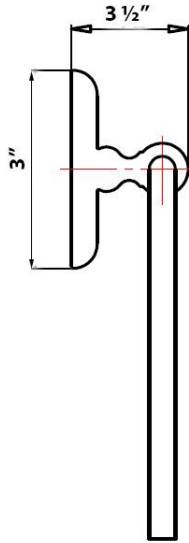


Product Specification Sheet

Date 03/18

Version 1.0

Piedmont Series Euro Paper Holder



Product Description	Piedmont Series Euro Paper Holder
Mount	Concealed Screw Application
Product Number	20205 - Polished Chrome 20305 - Satin Nickel 20405 - Oil Rubbed Bronze
Material	Zamac
Package Contents	1 - Euro Paper Holder 1 - Mounting Bracket 1-13/16" x 2-3/64" 2 - Plastic Dry Wall Anchors 2 - Steel Phillips Head Screws #8x1-1/2"

8132 Moberly Lane • Dallas, TX 75227-2311

Phone: 800-969-4393 • 214-381-9843

Email: sales@jvjhardware.com

Fax: 888-676-6770 • 214-388-0391

www.jvjhardware.com

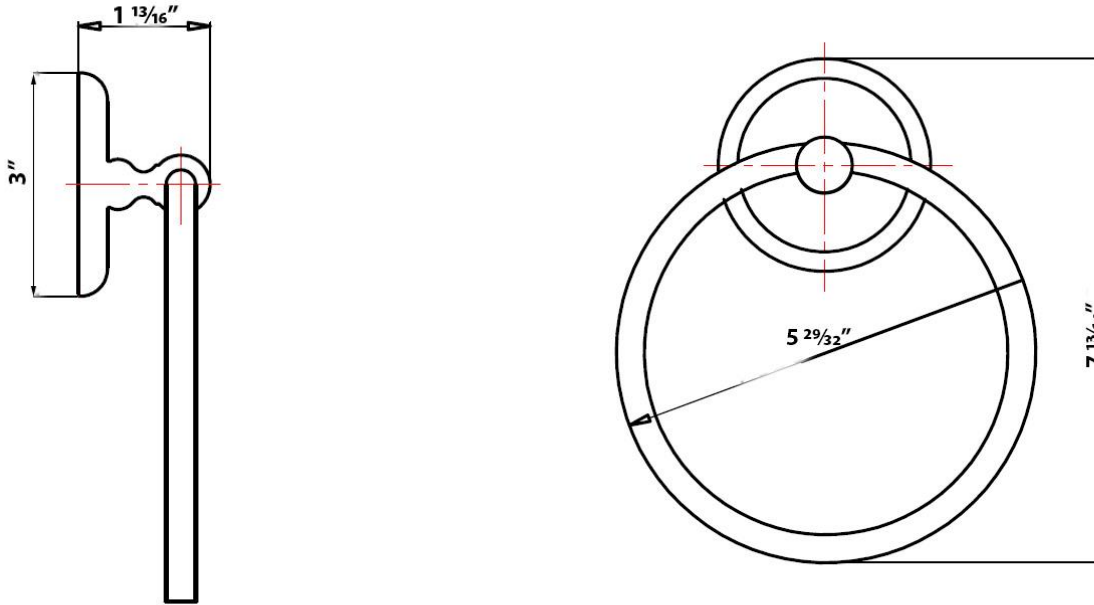


Product Specification Sheet

Date 03/18

Version 1.0

Piedmont Series Towel Ring



Product Description	Piedmont Series Towel Ring
Mount	Concealed Screw Application
Product Number	20206 - Polished Chrome 20306 - Satin Nickel 20406 - Oil Rubbed Bronze
Material	Zamac
Package Contents	1 - Towel Ring 1 - Mounting Bracket 1-13/16" x 2-3/64" 2 - Plastic Dry Wall Anchors 2 - Steel Phillips Head Screws #8x1-1/2"

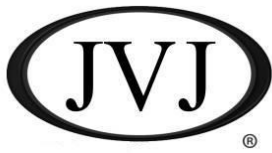
8132 Moberly Lane • Dallas, TX 75227-2311

Phone: 800-969-4393 • 214-381-9843

Email: sales@jvjhardware.com

Fax: 888-676-6770 • 214-388-0391

www.jvjhardware.com

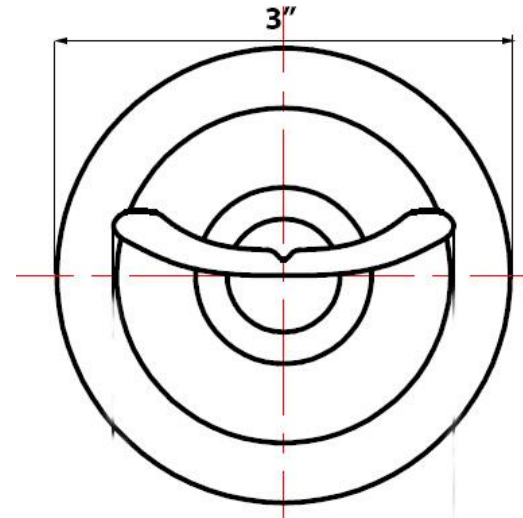
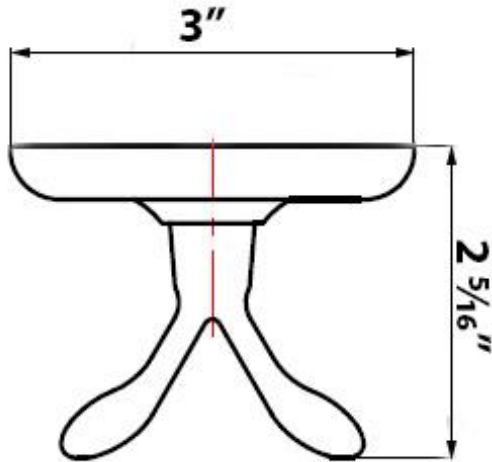


Product Specification Sheet

Date 03/18

Version 1.0

Piedmont Series Robe Hook



Product Description	Piedmont Series Robe Hook
Mount	Concealed Screw Application
Product Number	20207 - Polished Chrome 20307 - Satin Nickel 20407 - Oil Rubbed Bronze
Material	Zamac
Package Contents	1 - Robe Hook 1 - Mounting Bracket 1-13/16" x 2-3/64" 2 - Plastic Dry Wall Anchors 2 - Steel Phillips Head Screws #8x1-1/2"

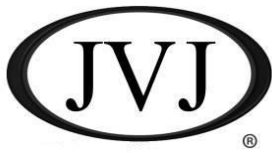
8132 Moberly Lane • Dallas, TX 75227-2311

Phone: 800-969-4393 • 214-381-9843

Email: sales@jvjhardware.com

Fax: 888-676-6770 • 214-388-0391

www.jvjhardware.com

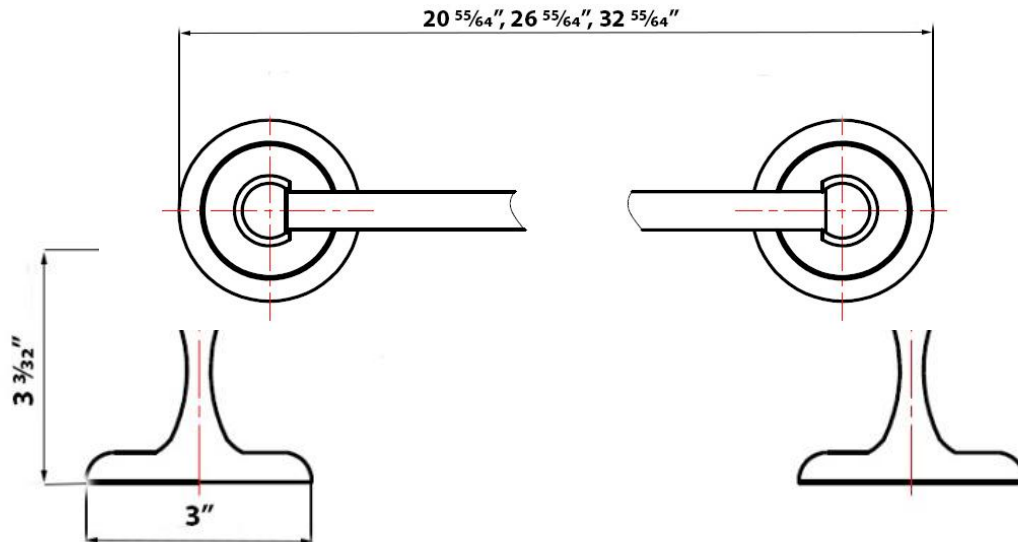


Product Specification Sheet

Date 03/18

Version 1.0

Piedmont Series Towel Bar Set



Product Description	Piedmont Series Towel Bar Set
Mount	Concealed Screw Application
Product Number	18" Towel Bar 20218 - Polished Chrome 20318 - Satin Nickel 20418 - Oil Rubbed Bronze 24" Towel Bar 20224 - Polished Chrome 20324 - Satin Nickel 20424 - Oil Rubbed Bronze 30" Towel Bar 20230 - Polished Chrome 20330 - Satin Nickel 20430 - Oil Rubbed Bronze
Material	Zamac
Package Contents	2 - Posts 1 - Towel Bar 2 - Mounting Bracket 1-13/16" x 2-3/64" 4 - Plastic Dry Wall Anchors 4 - Steel Phillips Head Screws #8x1-1/2"

8132 Moberly Lane • Dallas, TX 75227-2311

Phone: 800-969-4393 • 214-381-9843

Email: sales@jvjhardware.com

Fax: 888-676-6770 • 214-388-0391

www.jvjhardware.com